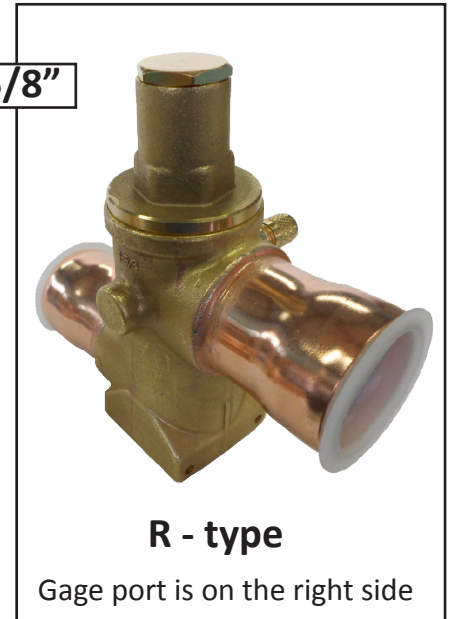
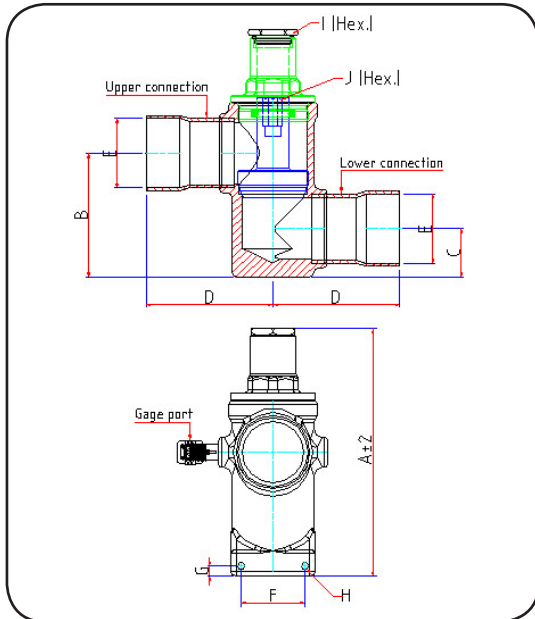


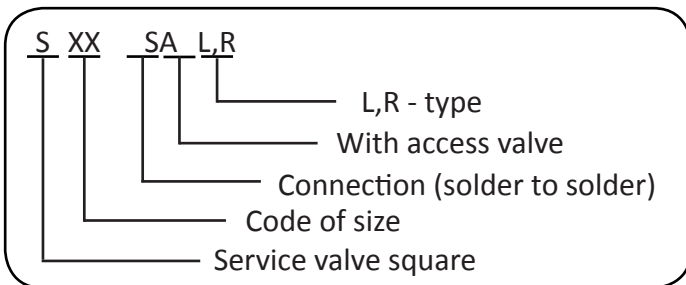
SERVICE VALVE SQUARE

Large body



Dimension : Inch/mm

Part No.	Description	Body size Square	A	B	C	D	E	F	G	H	I	J
			Inch (mm)	Inch (mm)	Inch (mm)	Inch (mm)	Inch (mm)	Inch (mm)	Inch (mm)	Inch (mm)	Inch (mm)	Inch (mm)
S1-5/8 SAL	Service valve 1-3/8 L - type	1.97 (50)	5.94 (151)	2.91 (74)	1.14 (29)	2.98 (75.7)	1.63 (Ø41.4)	1-1/2" (38.1)	0.24 (6)	0.167 (Ø4.25)	1" (25.4)	0.394 (10)
S1-5/8 SAR	Service valve 1-3/8 R - type											

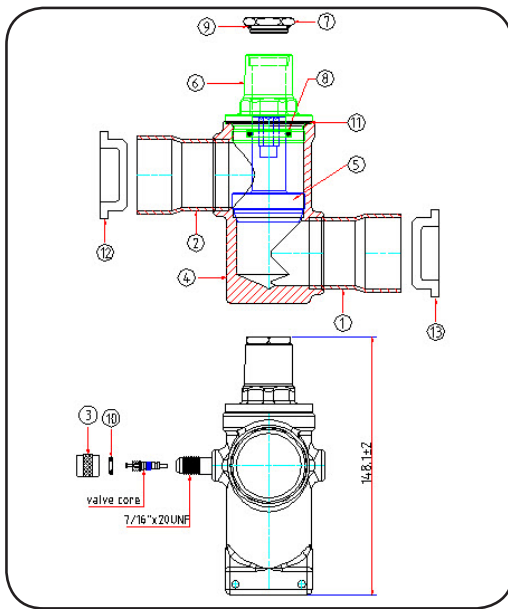


- Specification**
1. For freon R12, R22, R502, R134a, R407C
 2. Maximum working pressure 30 g/SQ CM., gauge(430 Psig.)
 3. Operating temperature range: -28 °C to 100 °C

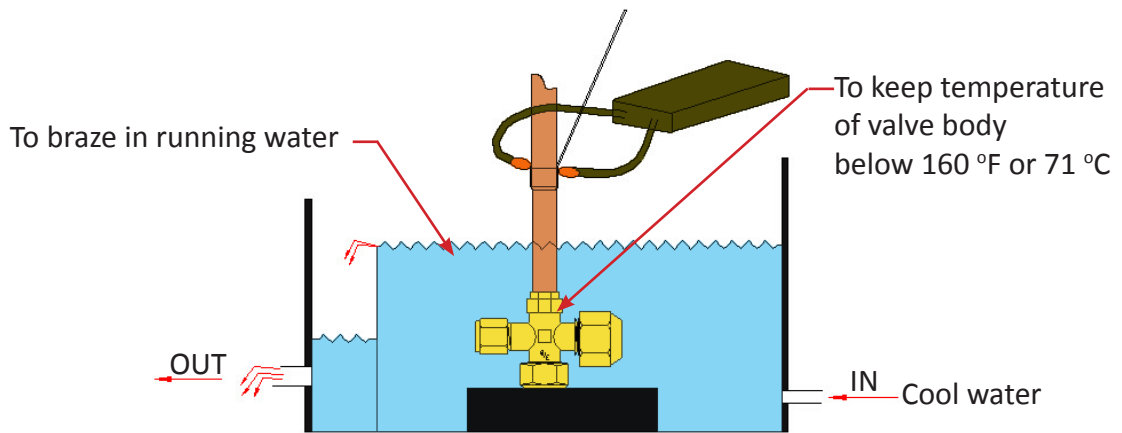


GRAND D.K. CO., LTD.
 1/17 Moo 2, Rama 2 Road, Thasai, Muong Samutsakhon74000, Thailand.
 Tel. (662) 8080457, 8080458 Fax. (662) 8081217, 8081218
 Email: grand@loxinfo.co.th
www.packedvalve.com, www.servicevalve.com, www.servicevalve.net

MANUFACTURER



No.	Description	Material
1	Tube connection	Copper
2	Tube connection	Copper
3	Cap, charging port	Brass (C3604)
4	Body	Brass (C3771)
5	Plunger	Brass (C3604)
6	Upper body (forged)	Brass (C3771)
7	Cap, valve port	Brass (C3604)
8	O - ring	Neoprene
9	O - ring	Neoprene
10	Seal	Teflon
11	Ring, Lock	Stainless Steel
12	Tube seal	LDPE
13	Tube seal	LDPE



Brazing Intruction

Engineering Specification Data

Description service valve	
Construction	<ul style="list-style-type: none"> • Body(4) : Forged Brass (C3771) • Plunger(5) : Brass with O-ring tightening torque for seating: Size 1/4, 3/8 = 2.5 - 3.0 ft-lb. (3.4 - 4.0 N-m) Size 1/2, 5/8 = 10 - 12.5 ft-lb. (13 - 17 N-m) Size 3/4, 7/8 = 20 - 25 ft-lb. (27 - 34 N-m) • Seat : Metal contact seat • Service Port : 1/4 Sae – Flare with valve-core, Tightening torque for valve-core = 1.5-3.0 In-lb. (0.17-0.34 N-m) • Weld : By silver brazing, to withstand to 1100 deg.F (600 deg.C.)
Static Pressure	• Maximum working pressure 430 Psig.(30kg./Sqcm. Gauge)
Working Temperature	• -28 °C To 100 °C (-20 °F To 212 °F)
Refrigerant	• R12, R22, R502, R134a, R407c
Leak Test	• 100% Leak test of valve functions (open and close) by bubble leak test with nitrogen at 450 Psig.(31kg./Sqcm. Gauge)



GRAND D.K. CO., LTD.

1/17 Moo 2, Rama 2 Road, Thasai, Muong Samutsakhon74000, Thailand.
Tel. (662) 8080457, 8080458 Fax. (662) 8081217, 8081218

Email: grand@loxinfo.co.th

www.packedvalve.com, www.servicevalve.com, www.servicevalve.net

MANUFACTURER